

SERIES 120

Linear



OVERVIEW

A high performance IP66 Non Corrosive LED Linear Batten featuring a quality and prismatic diffuser with IK08 protection. Series 120 utilises Tridonic drivers with adjustable outputs from 2500 - 6600 lumens and is available in 4Ft and 5Ft lengths. A high output version at 8800lumens is also available. The product can also be supplied with integral emergency with lithium battery technology, and its stainless steel clips and mounting bracket make for rapid and flexible installation.

FEATURES

- IP66 Non-Corrosive luminaire with IK08 protection
- Lumen output from 2500-6600 lumens at 130 lumens per Watt.
- 8800 lumens available at 160lm/W (5ft only)
- Tridonic and Power Adjustable Driver
- High quality Polycarbonate body and opal LED prismatic diffuser
- Stainless steel fast fix mounting brackets with hanger for flexible mounting options
- Gear tray and diffuser are linked for easy 2 part install
- Emergency option available with Lithium Battery
- 50,000 hours' lifetime with 5-year warranty

OPTIONS

- Colour temperature is 4000K as standard, 3000K & 5700K are available.
- 4 and 5 Ft Variants with Power Switchable driver
- Sensor: PIR or Microwave On/Off/Dim
- Dimming: 1-10 Volt, Dali, Bluetooth
- Emergency Options: Standard or Self-Test



T: 01282 476600 | E: info@photoniclighting.co.uk

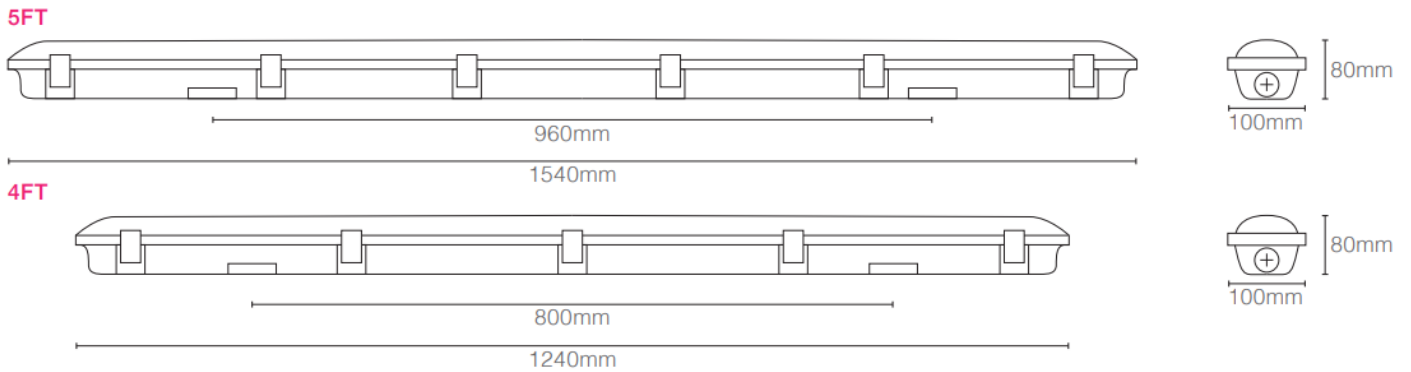
Unit 1 Boran Court, Network 65, Hapton, Burnley BB11 5TH

www.photoniclighting.co.uk

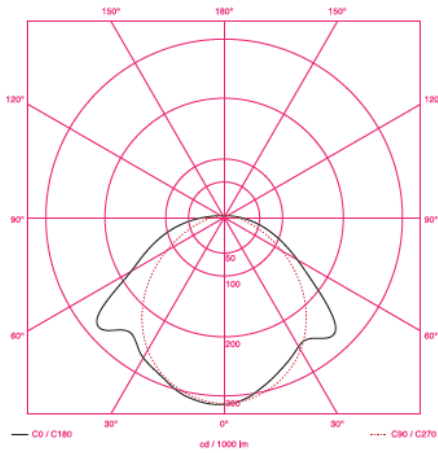
SERIES 120

Linear

PRODUCT DIMENSIONS



PHOTOMETRIC



PRODUCT SPECIFICATION

120 - (SZ) - (OT) - (CCT) - (CN) - (EM)

Size (SZ)		Lumen Output (OT)	
Code	Description	Code	Description
4	4FT	25	2500 lumen (19W)
		32	3200 lumen (24W)
		40	4000 lumen (30W)
		47	4700 lumen (36W)
5	5FT	36	3600 lumen (28W)
		45	4500 lumen (35W)
		55	5500 lumen (43W)
		66	6600 lumen (51W)
		88	8800 lumen (55W)

Correlated Colour Temp (CCT)	
Code	Description
830	3000K
840	4000K
857	5700K

Emergency (EM)	
Code	Description
L3	3W emergency
SL3	Self test 3W Emergency
D2E	Dali-2 Test & Report

Control (CN)	
Code	Description
N	Non Dimmable
D	DALI Dimmable
RD	Retractive Dim
10	1-10v Dim
P7	PIR On/Off 7m
PD7	PIR Dim 7m
M6	Microwave On/Off 6m
MD6	Microwave dim 6m
BC	Bluetooth Casambi
BH	Bluetooth Hubsense

T: 01282 476600 | E: info@photonighting.co.uk

Unit 1 Boran Court, Network 65, Hapton, Burnley BB11 5TH

www.photonighting.co.uk