

SERIES 11

BACKLIT TP_a UGR PANEL

PHOTONIC.
LIGHTING SOLUTIONS



OVERVIEW

An UGR rated low glare backlit square LED panel delivering 3520 lumens with excellent light uniformity compliant with TP(a) regulations, using a high chip density and PMMA lenses. Series 11 utilises the latest anti-flicker LED drivers from Philips and can be supplied with dimming and emergency options.

FEATURES

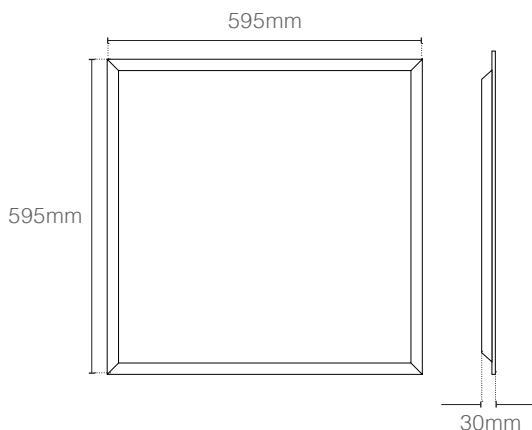
- UGR rated low glare design complaint with TP(a)
- High Lumen output with 3250 lumens at 110 Lumens per Watt
- Utilising the latest anti-flicker LED driver from Philips
- High Chip density and PMMA lenses for excellent uniformity
- 50,000 hours' lifetime with 5 year warranty

OPTIONS

- 4000K and 5700K at 80CRI
- Emergency Options: Standard or Self-Test
- DALI Dimming option



PRODUCT DIMENSIONS



01282 476600 | info@photoniclighting.co.uk

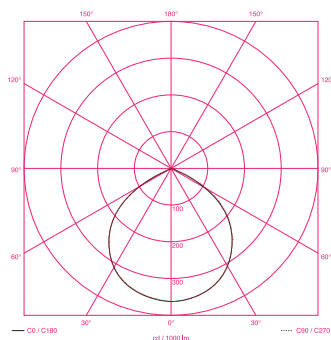
Unit 1 Boran Court, Network 65, Hapton, Burnley BB11 5TH

www.photoniclighting.co.uk



Philips driver with simple twist lock connection

PHOTOMETRIC PERFORMANCE



PRODUCT SPECIFICATION

11 - SZ - LM - A - BA - CCT - CTRL - EMG

Size (SZ)	
Code	Description
66	600x600mm
123	1200x300mm
126	1200x600mm

CCT (CCT)	
Code	Description
830	80 CRI 3000K
840	80 CRI 4000K
857	80 CRI 5700K

Control (CTRL)	
Code	Description
D	Dali
D2	Dali 2
RD	Retractive Dim
10	1-10v dim
HSD	Hub sense Dim
CSD	Casambi Dim
MCD	Philips Zigbee (Master Connect)
PHD	Phase Dim

Emergency (EMG)	
Code	Description
L3	3W Lithium
SL3	3hr 3W Lithium Self-test

Lumens (LM)	
Code	Description
35	3500 lumens
30	3000 lumens

Rating (RA)	
Code	Description
A	TP(a)

Beam Angle (BA)	
Code	Description
U19	UGR 19
BLANK	Standard backlit panel

