

SERIES 551

Bollards



OVERVIEW

Series 551 Bollard Family. A robust IP65 Bollard solution for external use. Suitable for pathways, parks, car parks and guidance.

FEATURES

- 3000K & 4000K
- Switched output.
- Black Texture weather resistant coating

OPTIONS

- Different head styles:- Domed, Flat, Louvre
- Mushroom version available in 500mm & 1000mm



T: 01282 476600 | E: info@photoniclighing.co.uk

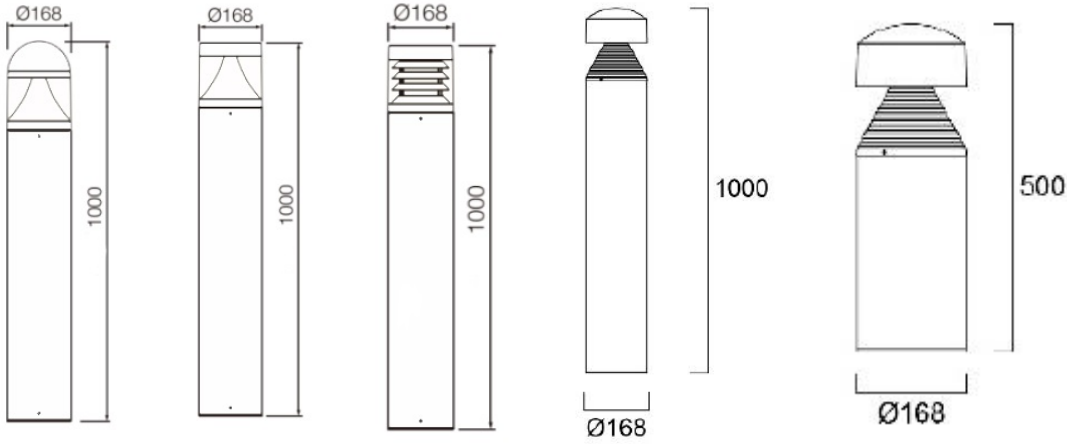
Unit 1 Boran Court, Network 65, Hapton, Burnley BB11 5TH

www.photoniclighing.co.uk

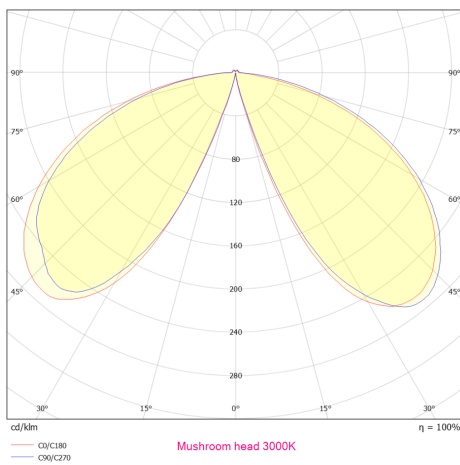
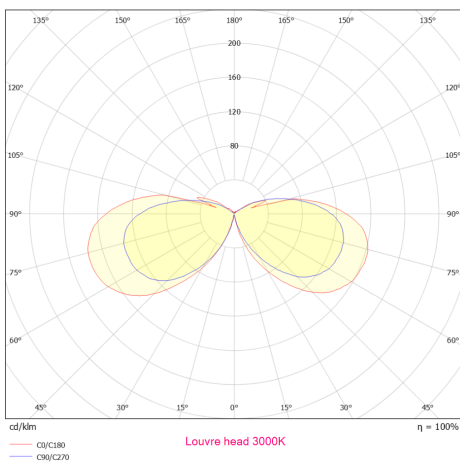
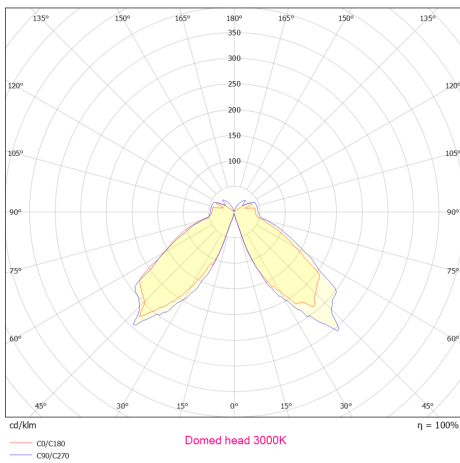
SERIES 551

Bollards

PRODUCT DIMENSIONS



PHOTOMETRIC



T: 01282 476600 | E: info@photoniclighting.co.uk

Unit 1 Boran Court, Network 65, Hapton, Burnley BB11 5TH

www.photoniclighting.co.uk

PRODUCT SPECIFICATION

551 - (SZ) - (LM) - (CCT) - R - B - N - (ST)

Size (SZ)	
Code	Description
5	500mm tall*
10	1000mm

*Mushroom version only

Lumen Output (LM)	
Code	Description
11	1100lm*
20	2000lm

Correlated Colour Temperature (CCT)	
Code	Description
830	80CRI 3000K
840	80CRI 4000K

Shape (SP)	
Code	Description
R	Round

Colour (CR)	
Code	Description
B	Black

Control (CTR)	
Code	Description
N	Fixed output

Style (ST)	
Code	Description
D	Domed head
F	Flat head
LVR	Louvre head
M	Mushroom

Accessories (ACC)	
Code	Description
551-RK	Ground rooting kit