



OVERVIEW

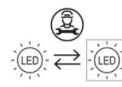
Series 12 is a high efficiency 600 x 600mm back lit ceiling panel with efficiency of up to 170lm/W. The Series has a variety of outputs available for multiple applications. The Luminaire also has a number of control options to fit into existing control methodology or upgrade for wireless control. The Luminaire also allows for Emergency conversion.

FEATURES

- up to 4800lm
- 170lm/W
- Back-lit recessed 600 x 600 panel

OPTIONS

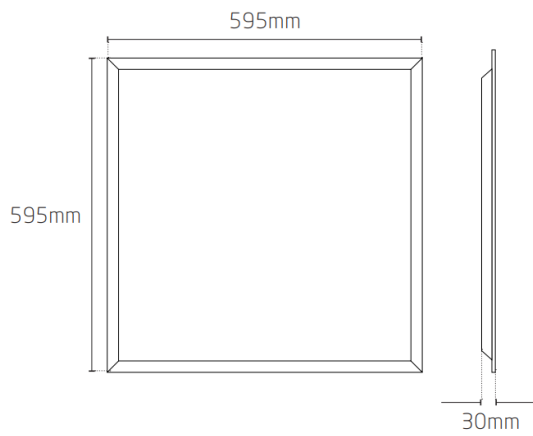
- 3000K, 4000K or 5700K
- Multiple control options including Bluetooth Casambi
- Loop in & out wiring configuration available (*certain products only)
- Emergency version available



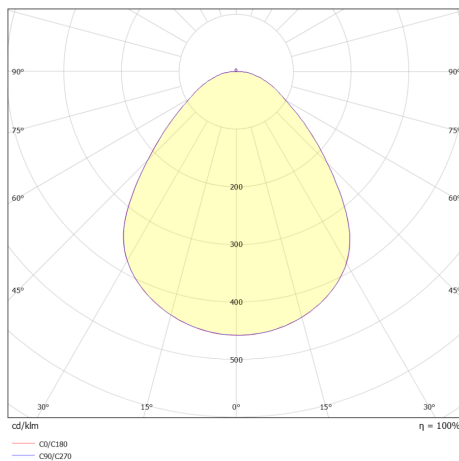
SERIES 12

Panels

PRODUCT DIMENSIONS



PHOTOMETRIC



T: 01282 476600 | E: info@photoniclighting.co.uk

Unit 1 Boran Court, Network 65, Hapton, Burnley BB11 5TH

www.photoniclighting.co.uk

PRODUCT SPECIFICATION

12 - (SZ) - (LM) - (RA) - (BA) - (CCT) - (CTRL) - (WR) - (EM)

Size (SZ)	
Code	Description
66	600x600mm Panel

Rating (RA)	
Code	Description
A	TP(a)

Control (CTRL)	
Code	Description
N	Switched
D	DALI
RD	Retractive Dim
BH	Bluetooth Hubsense
BC	Bluetooth Casambi

Lumens (LM)	
Code	Description
17	1700 lumens (10W)
22	2200 lumens (13W)
28	2800 lumens (16W)
34	3400 lumens (20W)
42	4200 lumens (25W)
48	4800 lumens (28W)

Beam Angle (BA)	
Code	Description
U19	UGR 19

Correlated Colour Temperature (CCT)	
Code	Description
830	80 CRI 3000K
840	80 CRI 4000K
857	80 CRI 5700K

Wiring Configuration (WR)	
Code	Description
BLANK	Supplied with standard strain relief
LILO*	Loop in & Out strain relief

Emergency (EM)	
Code	Description
L3	3W Lithium
SL3	3W Litium Self-test
D2E	Dali-2 test

* LILO

T: 01282 476600 | E: info@photonicleighting.co.uk

Unit 1 Boran Court, Network 65, Hapton, Burnley BB11 5TH

www.photonicleighting.co.uk