



OVERVIEW

Series 390 is a stylish track spot available in 2 lumen outputs with various beam angle choices. Series 390 also fits on standard 3 circuit track, with the options of also DALI dimming or Casambi Dimming. Head is adjustable to aim at any direction required, tilting through 90° and rotatable through 355°, complete with a low glare TIR optic, placing the light exactly where required. This is a made to order product.

FEATURES

- Stylish low profile Track spot
- Head can pivot 90° and rotate through 355°
- Low glare TIR optic for controlled performance.

OPTIONS

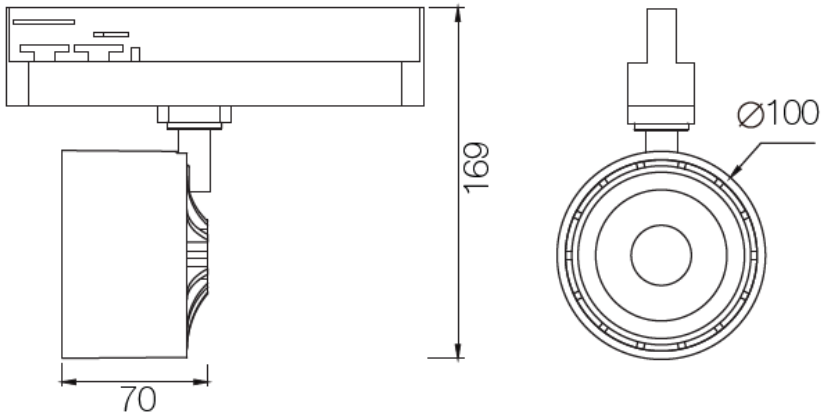
- 3000K, 4000K or 5000K options
- Multiple optic choices
- 3 Luminaire colour choices
- Choice of Control options



SERIES 390

Trackspot

PRODUCT DIMENSIONS



PHOTOMETRIC

PRODUCT SPECIFICATION

390 - (LM) - (CCT) - (OP) - (CTR) - (CR)

Lumen Output (LM)	
Code	Description
21	2100lm (20W)
34	3400lm (28W)

Correlated Colour Temperature (CCT)	
Code	Description
830	80CRI 3000K
840	80CRI 4000K
850	80CRI 5000K

Beam angle (OP)	
Code	Description
15	15°
24	24°
36	36°
60	60°
75	75°

Control (CTR)	
Code	Description
N	Non-dim
D	DALI
BC	Bluetooth Casambi

Colour (CR)	
Code	Description
WH	White
BK	Black
GY	Grey

T: 01282 476600 | E: info@photonighting.co.uk

Unit 1 Boran Court, Network 65, Hapton, Burnley BB11 5TH

www.photonighting.co.uk