



OVERVIEW

Series 392 is a slim modern and minimalist track spot with 2 different sizes and 4 different outputs. Series 392 is designed to be used as a normal track spot on a 3 circuit track, but can also be installed hidden in coves with the track hidden in a cove. The head can pivot 180° and rotate 255° providing total flexibility for aiming, combined with the TIR reflector ensures that the lumen output is delivered exactly where required. There are a choice of optics to allow for complete range for all applications.

FEATURES

- Slim, modern minimalist Trackspot
- Head can pivot 180° and rotate through 255°
- Can be used in standard track or hidden within coves

OPTIONS

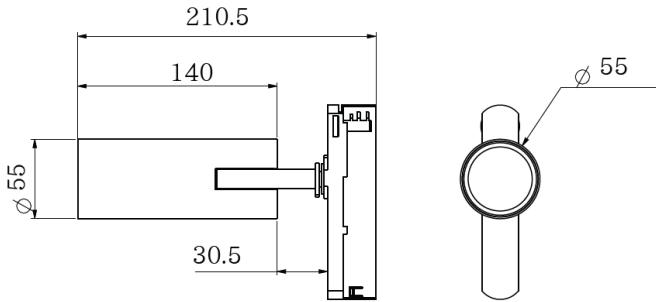
- 3000K, 4000K or 5000K options
- Multiple optic choices
- Multiple output choices
- 2 sizes versions
- Choice of control options including Bluetooth Casambi



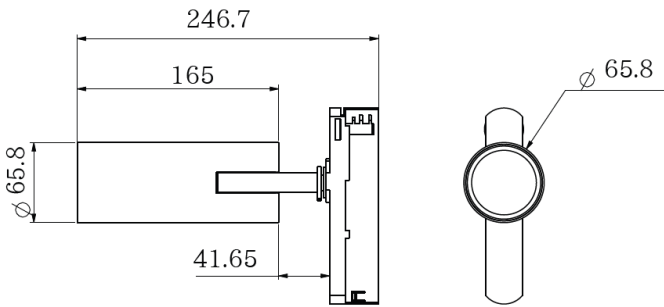
SERIES 392

Trackspot

PRODUCT DIMENSIONS



14 & 18 lumen package



25 & 29 lumen package

PHOTOMETRIC

PRODUCT SPECIFICATION

392 - (LM) - (CCT) - (OP) - (CTR) - (CR)

Lumen Output (LM)	
Code	Description
14	1350lm (15W)
18	1800lm (20W)
25	2500lm (28W)
29	2900lm (32W)

Correlated Colour Temperature (CCT)	
Code	Description
830	80CRI 3000K
840	80CRI 4000K
850	80CRI 5000K

Beam angle (OP)		
Code	Beam angle	Description
20	20°	Only available for 14 & 18 lumen packages
30	30°	
40	40°	
55	55°	
24	24°	Only available for 25 & 29 lumen packages
36	36°	
50	50°	

Control (CTR)	
Code	Description
N	Non-dim
D	DALI
BC	Bluetooth Casambi

Colour (CR)	
Code	Description
WH	White
BK	Black

T: 01282 476600 | E: info@photonighting.co.uk

Unit 1 Boran Court, Network 65, Hapton, Burnley BB11 5TH

www.photonighting.co.uk