

# SERIES 530

## Emergency



### OVERVIEW

Series 530 Smart Emergency Twin spots are ICEL endorsed and manufactured to provide full compliance to current standards, including BS 60598-2-22 and ISO 7010. Each spot can be individually rotated and angled for best coverage.

### FEATURES

- IP65 Self-contained emergency twin spot
- IK10
- Low stand-by power consumption <0.5W
- Li-ion battery with 8 year life
- Non-maintained 350lm in emergency mode
- Suitable for indoor & outdoor

### OPTIONS

- Self test, Manual test & Dali test options
- Optional remote control



T: 01282 476600 | E: [info@photoniclighting.co.uk](mailto:info@photoniclighting.co.uk)

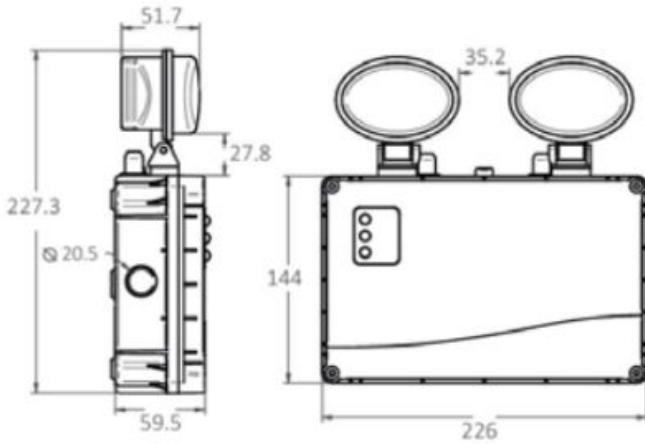
Unit 1 Boran Court, Network 65, Hapton, Burnley BB11 5TH

[www.photoniclighting.co.uk](http://www.photoniclighting.co.uk)

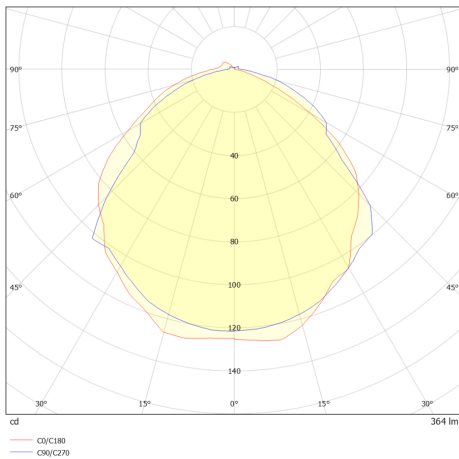
# SERIES 530

## Emergency

### PRODUCT DIMENSIONS



### PHOTOMETRIC



### PRODUCT SPECIFICATION

#### 530 - (LM) - (FN)

Lumen Output (LM)	
Code	Description
35	350 Lumens
100	1000 lumens

Function (FN)	
Code	Description
MN	Manual test
ST	Self test
D2E	Dali2 Test

T: 01282 476600 | E: info@photonighting.co.uk

Unit 1 Boran Court, Network 65, Hapton, Burnley BB11 5TH

[www.photonighting.co.uk](http://www.photonighting.co.uk)

# SERIES 530

Emergency

**PHOTONIC.**  
LIGHTING SOLUTIONS

---

## OPTIONS



T: 01282 476600 | E: [info@photoniclighting.co.uk](mailto:info@photoniclighting.co.uk)

Unit 1 Boran Court, Network 65, Hapton, Burnley BB11 5TH

[www.photoniclighting.co.uk](http://www.photoniclighting.co.uk)

---