



OVERVIEW

Series 612 is a Casambi enabled user interface that is highly flexible and can be installed without having to consider wiring. The user interface is battery operated with a CR2430 Lithium Coin cell and features 4 configurable buttons along with dim up & dim down buttons, plus 2 multipurpose buttons which can be used for CCT tuning. Series 612 is available in Black or white and features a magnetic mounting plate so the unit can be used as a handheld unit or fixed onto a surface.

FEATURES

- 4 Configurable buttons
- 90 x 90 x 12mm, 72g

OPTIONS

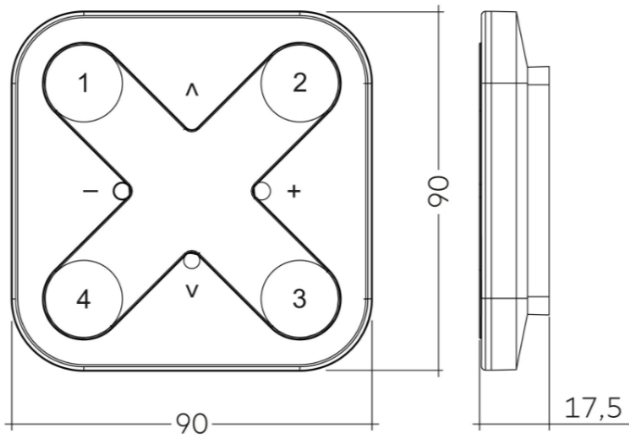
- Black
- White
- App settings to change from "Balanced" or "Better performance"



SERIES 612

Controls

PRODUCT DIMENSIONS



PHOTOMETRIC

PRODUCT SPECIFICATION

612 - (CLR)

Colour (CLR)	
Code	Description
WH	White
BK	Black

OPTIONS



T: 01282 476600 | E: info@photonighting.co.uk

Unit 1 Boran Court, Network 65, Hapton, Burnley BB11 5TH

www.photonighting.co.uk