

# SERIES 515

## Emergency



### OVERVIEW

Series 515 is a 3W emergency pin spot with Casambi test and report functionality. The series is available with open or corridor functions and uses the latest LiFePO4 battery technology. Series 515 requires only a mains connection and the communication is handled via a Bluetooth Casambi Mesh, which collates all the data. This data is then utilised by the Series 545 in order to send out emergency lighting reports and schedule from a central location.

### FEATURES

- Casambi Wireless Mesh pinspot
- Foldable battery unit to fit through small cutout.

### OPTIONS

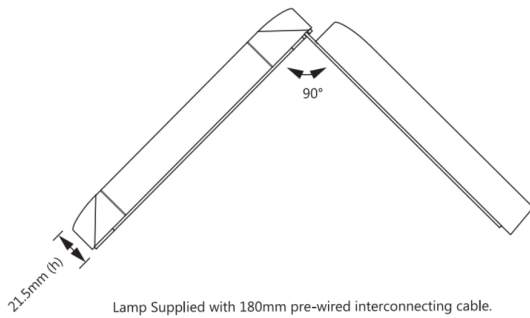
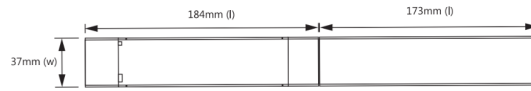
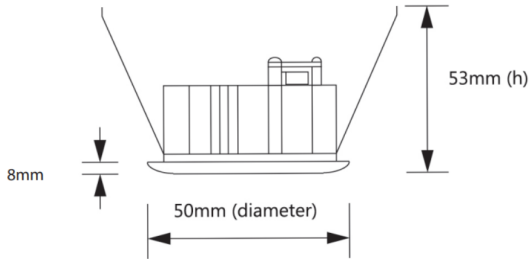
- Open or corridor optics



# SERIES 515

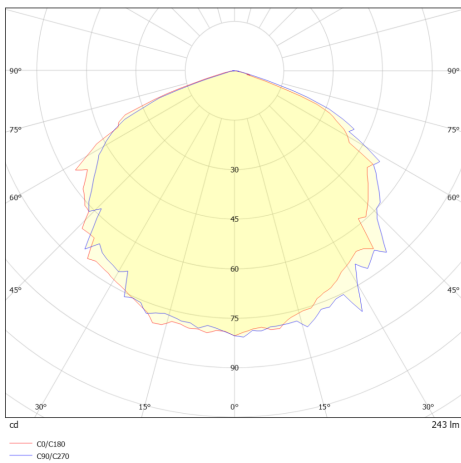
## Emergency

### PRODUCT DIMENSIONS



Lamp Supplied with 180mm pre-wired interconnecting cable.

### PHOTOMETRIC



T: 01282 476600 | E: [info@photonicleighting.co.uk](mailto:info@photonicleighting.co.uk)

Unit 1 Boran Court, Network 65, Hapton, Burnley BB11 5TH

[www.photonicleighting.co.uk](http://www.photonicleighting.co.uk)

# SERIES 515

## Emergency

### PRODUCT SPECIFICATION

#### 515 - (LM) - (BA) - (FN)

Lumens (LM)	
Code	Description
24	240 lumens (open) 196 lumens (corridor)

Beam Angle (BA)	
Code	Description
O	Open area
C	Corridor optic

Emergency Function (FN)	
Code	Description
CL3	Bluetooth Casambi Test & report

### OPTIONS



T: 01282 476600 | E: [info@photonighting.co.uk](mailto:info@photonighting.co.uk)

Unit 1 Boran Court, Network 65, Hapton, Burnley BB11 5TH

[www.photonighting.co.uk](http://www.photonighting.co.uk)