



OVERVIEW

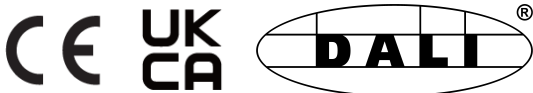
Series 600 is a ceiling recessed microwave sensor with options to have on/off & DALI functionality. The sensors have a max ceiling height of 6m. Hold time and dimming requirement can be programmed via rotary dials or a remote (ordered separately) on site to allow for flexibility within areas.

FEATURES

- DALI version (onboard power upto 40 devices)
- Rotary dial programming and optional Remote control programming
- Photocell for daylight detection
- 5 year warranty

OPTIONS

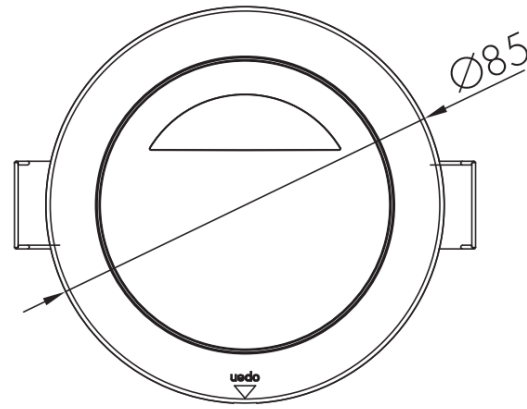
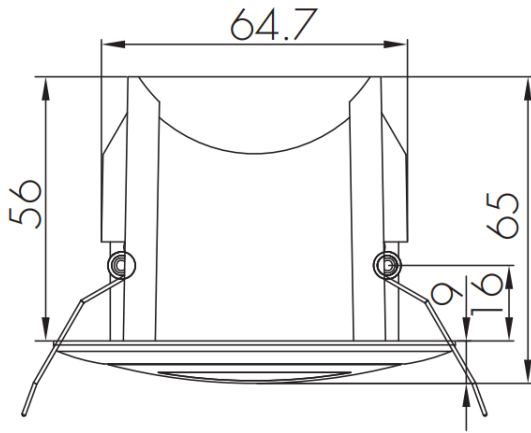
- On/Off or DALI versions available
- Recessed as standard with option for additional surface mount bracket (sold separately)



SERIES 600

Controls

PRODUCT DIMENSIONS



PHOTOMETRIC

PRODUCT SPECIFICATION

600 - (CL) - (CTRL)

Colour (CL)	
Code	Description
WH	White housing colour

Control (CTRL)	
Code	Description
O6	On/off 6m height
D6	DALI dim 6m height

Accessories	
Code	Description
600-WH-SM	White housing for surface mounting
600-REM	Remote control for programming

OPTIONS



T: 01282 476600 | E: info@photoniclighting.co.uk

Unit 1 Boran Court, Network 65, Hapton, Burnley BB11 5TH

www.photoniclighting.co.uk